

820 Nano SOM

OVERVIEW

The 820 Nano SOM from Mistral is an easy to use, ultra-compact, light-weight System on Module providing very high processing power. The SOM is based on Qualcomm Snapdragon 820 and is ideal for advanced, next-gen embedded applications. With a PCB size of just 51mm x 26mm, this is one of the smallest Snapdragon based SOMs available in the market currently.

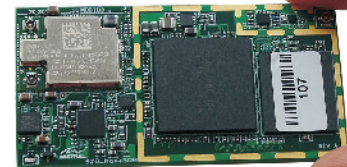
Equipped with powerful specifications and features, the 820 Nano SOM is ideal for designs requiring 4K Ultra HD HEVC (H.265) video and graphics processing, wireless connectivity, low power consumption and advanced processing power. The feature-rich 820 Nano SOM supports latest features like Type-C functionality, 4K Encode/Decode and integrated 9-axis MEMS on a very small footprint, making it ideal for several powerful applications.

Based on a complete "System on Module" architecture, the 820 Nano SOM consists of the 64-bit quad-core Qualcomm® Kryo™ CPU, 2.2GHz capable of 4K Encode/Decode, 3/4GB LPDDR4, 32/64GB UFS and with major interfaces available via inter-board connectors. Application Development on the 820 Nano SOM is enabled with Android and Embedded Linux through a feature-rich carrier board that enables prototyping in record time. Optional Adaptor boards like LCD, Camera, Sensors and Battery Charger are also available for increased scope of development around the 820 Nano SOM.

The 820 Nano SOM is ideal for designing products like wearable computers, camera solutions, media gateways, Infotainment, drones, assistive devices and other smart gadgets requiring small package and high processing power.

FEATURES

- ▶ Qualcomm's 2.2GHz Qualcomm® Kryo™ CPU quad core processor
- ▶ 3/4GB LPDDR4 RAM
- ▶ 32/64GB UFS
- ▶ Type-C Functionality
- ▶ 4K Encode/Decode
- ▶ On-board 9-axis MEMS
- ▶ Scalable power management
- ▶ Multiple Connectivity Solutions
- ▶ Board-to-board Expansion connector
- ▶ Linux and Android Oreo support



SPECIFICATIONS

Snapdragon 820 (APQ8096)

- ▶ Quad-core Kryo™ 2.2 Ghz 64-bit CPU
- ▶ Adreno 530 GPU
- ▶ Hexagon 680 DSP
- ▶ Spectra ISP

PMIC

- ▶ PMI8996
- ▶ PM8996

Memory

- ▶ 3/4GB LPDDR4 RAM POP @ 1866 MHz

Storage

- ▶ 32/64 GB UFS 2.0

Wireless

- ▶ Wi-Fi 802.11a/b/g/n/ac 2.4/5.0 GHz2x2 MU-MIMO
- ▶ Bluetooth 4.2
- ▶ Wireless interface terminated in RF connector
- ▶ GPS - Qualcomm IZat™ Gen 8C

Audio CODEC

- ▶ WCD9335

Display

- ▶ Display Port (DP) over Type-C
- ▶ 1x HDMI 2.0 up to 4096x2160, 60fps
- ▶ 2x MIPI-DSI 4-lane, 60fps, up to 2560x1600 (single port), 4096x2160 (dual port)

Camera

- ▶ 3x MIPI-CSI 4-lane, dual ISP, up to 28MP

PCIe

- ▶ 2x PCIe v2.1

9-Axis MEMS Sensor

USB

- ▶ 1x USB 3.0 OTG
- ▶ 1x USB 2.0 host

SD

- ▶ 1x 4Bit SDIO

Audio

- 3x Analog MIC, 2x Digital MIC
- 1x Headphone out, 2x Analog Line Out
- 1x PDM, 1x I2S

Configurable Serial Ports

- 6x port configurable as I2C, SPI, UART or GPIO

Operating Environment

- Input Power – 3.5V to 4.2V
- Operating Temperature 0°C to +70°C (Commercial)
- Dimension 51mm x 26mm

RoHS, REACH and WEEE compliant

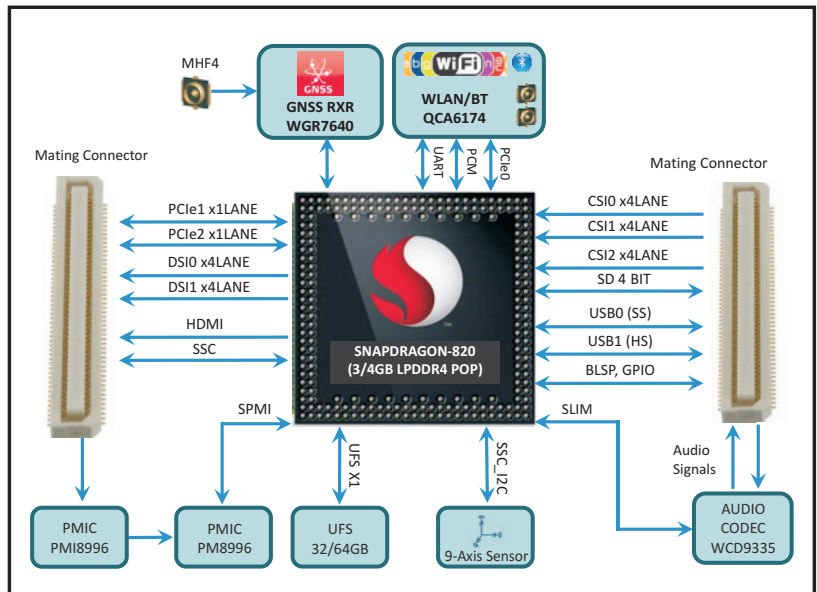
SOFTWARE

- Android Oreo
- 4K Media Encode/Decode (H.265 HEVC)
- Wireless Display
- Yocto Linux 2.0
- Demo Apps and Test Suites

APPLICATIONS

- Wearable Electronics
- Camera Solutions
- Assistive Electronics
- Home Media Gateways
- Drones
- Infotainment

BLOCK DIAGRAM



DELIVERABLES

- 820 Nano SOM Board
- Quick Start Guide
- Software Package and Documentation (Online)

ORDERING

For ordering information please email us at sales@mistralsolutions.com or call +1-408-705-2240 for USA and +91-80-4562-1100 for rest of the world.

ABOUT MISTRAL

Mistral is a technology design and systems engineering company providing end-to-end solutions for product design and application deployment. Mistral focuses in two business domains: Product Engineering Services and Defense & Homeland Security.

Mistral provides total solutions for a given requirement, which may include hardware board design, embedded software

development, FPGA design, systems integration and customized turnkey solutions.

Mistral's strategic partnerships with leading technology companies help provide customers with a comprehensive package of end-to-end solutions.



Mistral Solutions Pvt. Ltd.,
No.60, 'Adarsh Regent',
100 Feet Ring Road,
Domlur Extension, Bangalore - 560 071
Tel: +91-80-4562-1100
Fax: +91-80-2535-6444
E-mail: info@mistralsolutions.com

Mistral Solutions Inc.,
43092 Christy Street
Fremont, CA 94538
USA
Tel: +1-408-705-2240
E-mail: usa@mistralsolutions.com

Branch Offices:
INDIA
• Hyderabad
• New Delhi
USA
• Dallas, Texas